



# Milesight IAQ Kit

*Indoor Air Quality Monitoring*

## QUICK START GUIDE



# Description

IAQ Kit offers an easy-to-install LoRaWAN® indoor air quality monitoring solution including ambience monitoring sensors, gateway, Actility ThingPark platform and the IoT platform of akenza.io. This kit can definitely bring comfort feels to your indoor space by monitoring the temperature, humidity, concentration of CO2, and many more environment data.

# Requirement

- Milesight IAQ LoRaWAN Sensors: AM103, AM103L, AM307, AM319
- Milesight LoRaWAN Gateway connected to Actility ThingPark Platform
- [Actility ThingPark Account](#)
- [Akenza Account](#)

# Configuration

## Step 1: Activate Milesight Gateway on Actility ThingPark

Activate Milesight gateway to Actility ThingPark account referring to [How to connect Milesight Gateway to Actility ThingPark Platform](#).

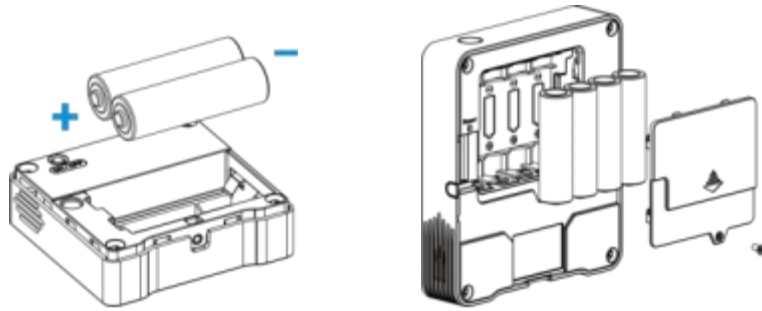
## Step 2: Connect Actility ThingPark to akenza

Add Actility integration on Akenza account referring to [Connectivity Management: Actilit's ThingPark Enterprise](#). The profile ID is community-api and the logins are your ThingPark Community logins.

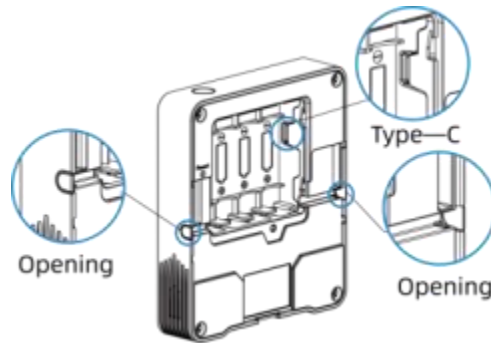
## Step 3: Activate Milesight Sensors on akenza

## Step 4: Deploy Milesight Sensors in the Field

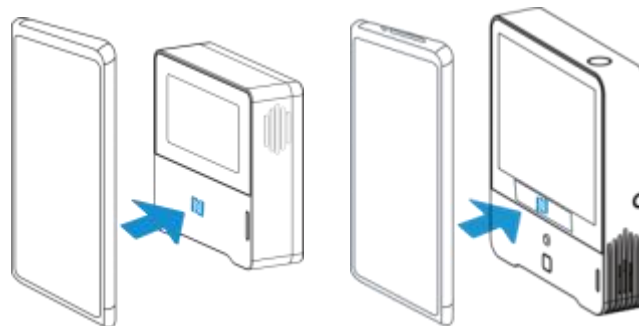
1. Install the batteries onto AM103/AM103L/AM307 sensors.



For AM319, connect the type-C cable to the type-C port and left or right side should make an opening to pass through and cable.

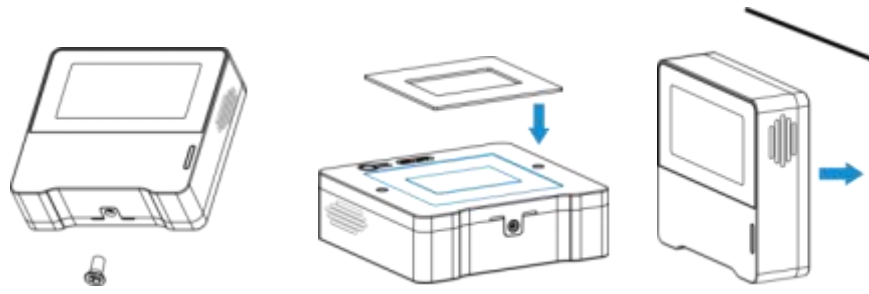


2. Use an NFC-enabled smart phone to download and install Milesight ToolBox App from Google Play or App store, place the NFC area of phone close to devices to read device information and power on the devices.

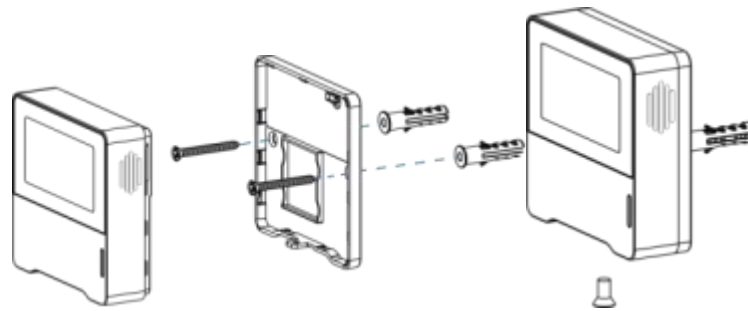


3. Fix the devices to the wall via wall mounting kits or 3M tapes, then fix the bottom of the device to the bracket or rear cover with the theft-detering screw.

**AM103/AM103L:**

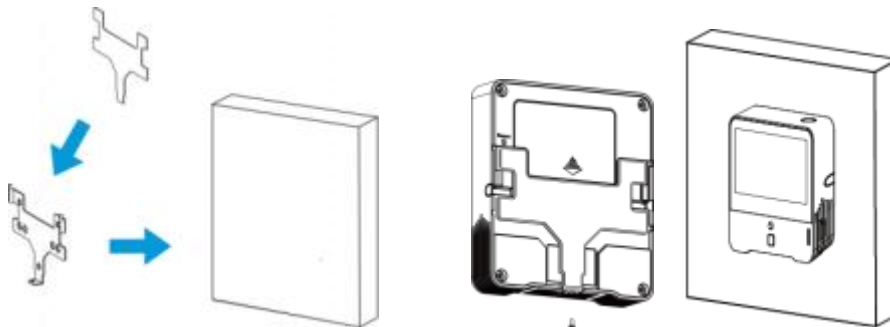


Fixed by 3M Tapes

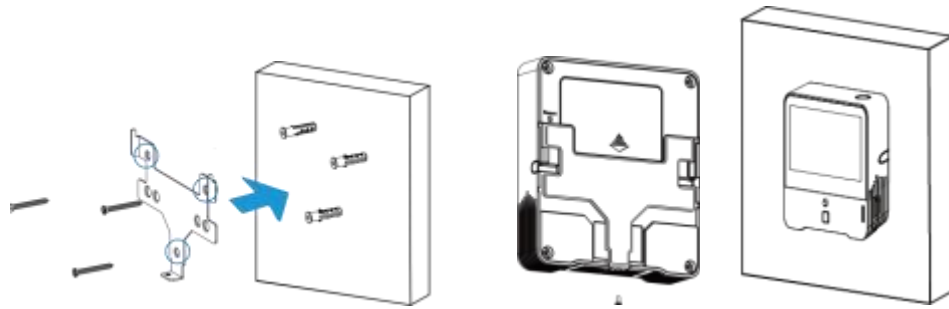


Fixed by Screws

**AM307/AM319:**



Fixed by 3M Tapes



Fixed by Screws

## Step 5: Monitor Indoor Air Quality with the Dashboard Builder of akenza

---END---