

---

**Wireless mA Current Meter Interface, 4~20mA**

---

# Wireless mA Current Meter Interface, 4~20mA R718KA Data Sheet

---

Wireless Sensor Network Based on LoRa Technology



## R718KA

**Copyright©Netvox Technology Co., Ltd.**

This document contains proprietary technical information which is the property of NETVOX Technology. It shall be maintained in strict confidence and shall not be disclosed to other parties, in whole or in part, without written permission of NETVOX Technology.

The specifications are subject to change without prior notice.



 **LoRa Alliance Member™** **zigbee alliance member**

---

## Wireless mA Current Meter Interface, 4~20mA

---

### General Description

This device is used to detect signal 4mA-20mA equipment, which uses SX1276 wireless communication module. R718KA can detect 4mA-20mA signal, and add the detection signal data to the gateway, and the collected data will be displayed in data center.

### Principle of Operation

Typical applications for 4 mA to 20 mA products are sensing and instrumentation measurement applications. The signal current of general instrumentation is 4-20mA, which means the minimum current is 4mA and the maximum current is 20mA. There are many kinds of sensors in the industrial field that can be converted into 4~20mA current signals. This device converts the 4mA-20mA signal into an appropriate detection signal through the operational amplifier, and then samples the current value through the module ADC sampling.

### Example Applications

- Sensing
- Measuring equipment
- Instrumentation
- Others

### Features of NETVOX Sensors

- Wireless range of 10km \*1
- LoRaWAN™ Class A compatible
- Frequency Hopping Spread Spectrum (FHSS)
- Improved interference immunity
- Improved power management for longer battery life
- Encrypt-RF™ Security (Diffie-Hellman Key Exchange + AES-128 CBC for sensor data messages)
- Battery Life\*2:  
Please refer to web: [http://www.netvox.com.tw/electric/electric\\_calc.html](http://www.netvox.com.tw/electric/electric_calc.html)  
At this website, users can find battery life time for varier models at different configurations.
- Over-the-air updates (future)
- Third-Party online wireless sensor monitoring and notification system to configure sensors, view data and set alerts via SMS text and email (optional)
- Available third-party platform: Actility/ThingPark, TTN, MyDevices/Cayenne
- R718X series carry magnets which can be attached to ferromagnetic materials and objects

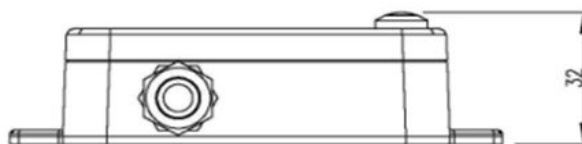
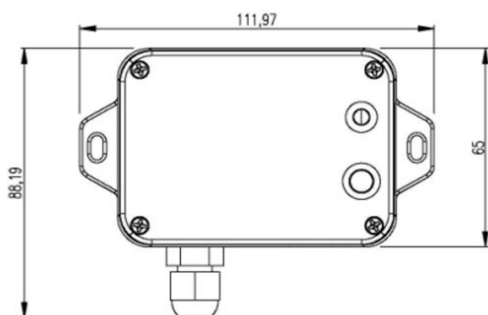
\*1. Actual range may vary depending on environment.

\*2. Battery life is determined by sensor reporting frequency and other variables

---

**Wireless mA Current Meter Interface, 4~20mA**


---

**Technical Specifications (Main Part)**


(Uni. mm)

**Electric**

Input Power	2 x 3.6V ER14505 AA lithium batteries (3.6V2400mah/section)
Sleeping Mode	21uA
Wake up Mode	6.3mA@3.3V
Receiving Current (max)	11mA @3.3V
Transmitting Current (max)	120mA/3.3V
Battery Voltage Measurement Accuracy	±0.1V
Low Voltage Threshold	3.2V

\* Specific electrical characteristics may vary depending on the power supply voltage.

**Frequency**

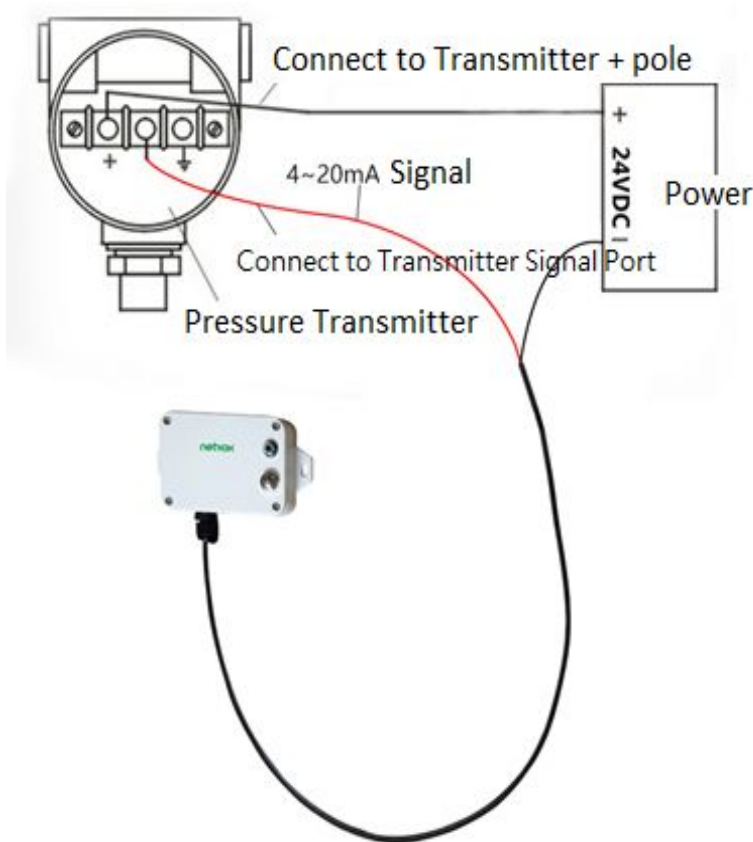
TX Power	19dBm±1dBm
Rx Sensitivity	-136dBm (LoRa, Spreading Factor=12, Bit Rate=293bps ) -121dBm (FSK,Frequency deviation=5kHz, Bit Rate=1.2kbps)
Antenna Type	Build-in antenna
Communication Range	10 km (line-of-sight, the actual transmission distance depends on the environment)
Data Transfer Rate	0.3kbps~50kbps
Spread Technique	LoRa/FSK
Available Frequency	US915 AU915 AS923 EU868 KR920 CN470 Configured before shipment

**Wireless mA Current Meter Interface, 4~20mA**

**Physical**

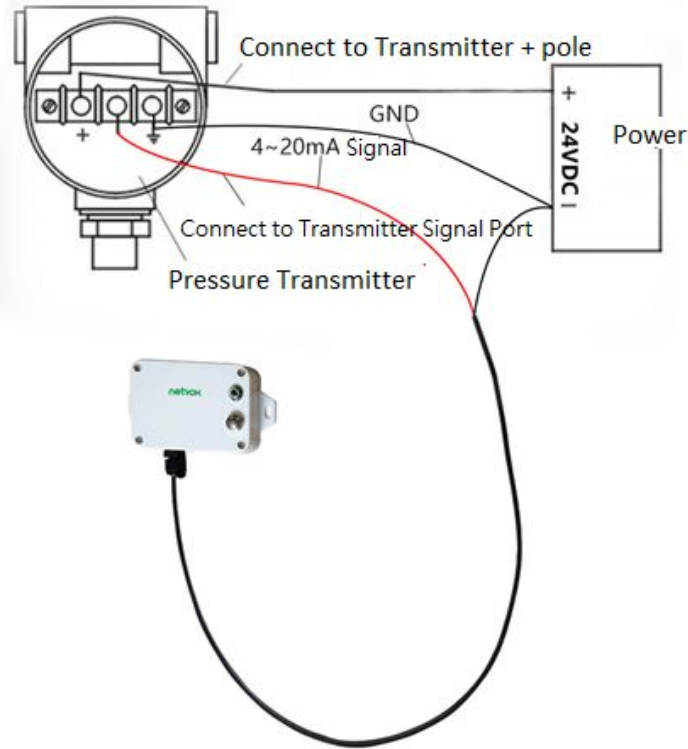
Dimension	Main Part: L: 112mm*W: 65mm*H: 32mm
Weight	141g
Environment Temperature Range	-20°C ~ 55°C
Environment Humidity Range	<90% RH (No condensation)
Storage Temperature	-40°C ~ 85°C

**2-wire System Example Diagram (for wiring reference)**



**Wireless mA Current Meter Interface, 4~20mA**

**3-wire System Example Diagram (for wiring reference)**



**Contact:**

**NETVOX TECHNOLOGY CO., LTD.**

TEL: 886-6-2617641

FAX: 886-6-2656120

E-mail: sales@netvox.com.tw

WEB: www.netvox.com.tw

**NETVOX TECHNOLOGY CO., LTD (XIAMEN)**

TEL: 86-592-5717188

FAX: 86-592-5717180

E-mail: dyx@netvox.com.cn

WEB: www.netvox.com.cn



LoRa Alliance Member™ zigbee alliance member