
Wireless 2-Gang Hall Type Open/Close Detection Sensor

Wireless 2-Gang Hall Type Open/Close Detection Sensor R718LB2 Data Sheet

Wireless Sensor Network Based on LoRa Technology



R718LB2

Copyright©Netvox Technology Co., Ltd.

This document contains proprietary technical information which is the property of NETVOX Technology. It shall be maintained in strict confidence and shall not be disclosed to other parties, in whole or in part, without written permission of NETVOX Technology.

The specifications are subject to change without prior notice.



 **LoRa Alliance Member™** **zigbee alliance member**

Wireless 2-Gang Hall Type Open/Close Detection Sensor

General Description

This device is equipped with two way Hall sensors, which can be used for door and window switch state detection. It can realize wireless alarm and other functions through the built-in wireless module. It applies SX1276 wireless communication module.

Main Characteristics

- Adopt SX1276 wireless communication module
- 2 ER14505 battery AA SIZE (3.6V / section) parallel power supply
- The base is attached with a magnet that can be attached to a ferrous object
- IP level IP67
- Two way Hall sensor detection

Example Applications

- Door and window switchgear
- Other

Features of NETVOX Sensors

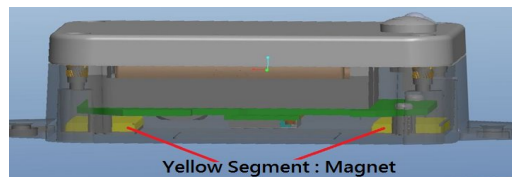
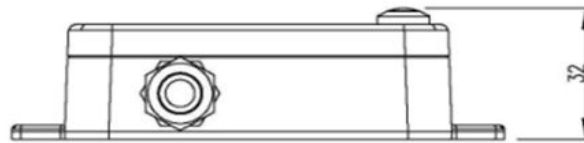
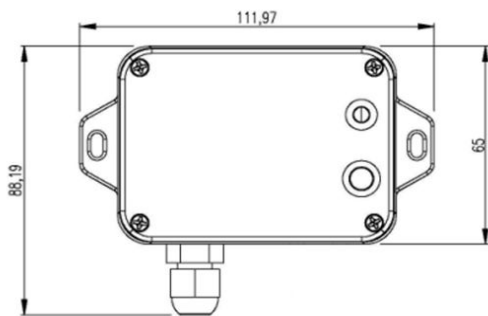
- Wireless range of 10km *1
- LoRaWAN™ Class A compatible
- Frequency Hopping Spread Spectrum (FHSS)
- Improved interference immunity
- Improved power management for longer battery life
- Encrypt-RF™ Security (Diffie-Hellman Key Exchange + AES-128 CBC for sensor data messages)
- Battery Life*2:
 - Please refer to web: http://www.netvox.com.tw/electric/electric_calc.html
 - At this website, users can find battery life time for varier models at different configurations.
- Over-the-air updates (future)
- Third-Party online wireless sensor monitoring and notification system to configure sensors, view data and set alerts via SMS text and email (optional)
- Available third-party platform: Actility/ThingPark, TTN, MyDevices/Cayenne
- R718X series carry magnets which can be attached to ferromagnetic materials and objects

*1. Actual range may vary depending on environment.

*2. Battery life is determined by sensor reporting frequency and other variables

Wireless 2-Gang Hall Type Open/Close Detection Sensor

Technical Specifications (Main Part)



(Uni. mm)

Electric

Input Power	2 x 3.6V ER14505 AA lithium batteries (3.6V 2400mah/section)
Battery Life Time	Battery life is 5 years (condition: ambient temperature 25°C , report once every 15 minutes, txpower = 20 dBm, LoRa spreading factor SF = 10)
Sleeping Mode	26uA
Wake up Mode	6.3mA@3.3V
Receiving Current (max)	11mA @3.3V
Transmitting Current (max)	120mA/3.3V
Battery Voltage Measurement Accuracy	±0.1V

* Specific electrical characteristics may vary depending on the power supply voltage.

Hall Sensor Specification

External Hall Sensor Housing Size	42mm*13mm*12mm
Performance Characteristics	All-pole sensing, the magnet can activate either pole.
Hall Sensor Supply Voltage Range	1.65-5.5VDC
Hall Sensor Temperature Range	40°C to 85°C
Push-pull Output	No external pull-up resistor required
Hall Sensor Sensing Distance	Less than 3cm.

Wireless 2-Gang Hall Type Open/Close Detection Sensor

Frequency

TX Power	19dBm±1dBm
Rx Sensitivity	-136dBm (LoRa, Spreading Factor=12, Bit Rate=293bps) -121dBm (FSK,Frequency deviation=5kHz, Bit Rate=1.2kbps)
Antenna Type	Build-in antenna
Communication Range	10 km (line-of-sight, the actual transmission distance depends on the environment)
Data Transfer Rate	0.3kbps~50kbps
Spread Technique	LoRa/FSK
Available Frequency	EU863-870, US902-928, AU915-928, KR920-923, AS923 CN470-510. Configured before shipment.

Physical

Dimension	L: 112mm*W: 65mm*H: 32mm
Weight	150g
Environment Temperature Range	-20℃ ~ 55℃
Environment Humidity Range	<90% RH (No condensation)
Storage Temperature	-40℃ ~ 85℃

Contact:
NETVOX TECHNOLOGY CO., LTD.

TEL: 886-6-2617641
FAX: 886-6-2656120
E-mail: sales@netvox.com.tw
WEB: www.netvox.com.tw

NETVOX TECHNOLOGY CO., LTD (XIAMEN)

TEL: 86-592-5717188
FAX: 86-592-5717180
E-mail: dyx@netvox.com.cn
WEB: www.netvox.com.cn




LoRa Alliance Member™ **zigbee alliance member**