



Milesight Smart Building Kit

Automated Monitoring and Management

QUICK START GUIDE



Description

Smart Building Kit offers an easy-to-install LoRaWAN® smart building monitoring and control solution including a series of sensors, gateway, Actility ThingPark platform and Akenza platform. This kit can transform your environment into a smart, interconnected and comfortable space.

Requirement

- Mulesight LoRaWAN Nodes: WS101, WS301, AM103, EM300-SLD, UC300
- Mulesight LoRaWAN Gateway connected to Actility ThingPark Platform
- [Actility ThingPark Account](#)
- [Akenza Account](#)

Configuration

Step 1: Activate Mulesight Gateway on Actility ThingPark

Activate Mulesight gateway to Actility ThingPark account referring to [How to connect Mulesight Gateway to Actility ThingPark Platform](#).

Step 2: Connect Actility ThingPark to akenza

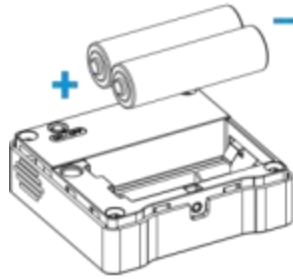
Add Actility integration on Akenza account referring to [Connectivity Management: Actility's ThingPark Enterprise](#). The profile ID is community-api and the logins are your ThingPark Community logins.

Step 3: Activate Mulesight Sensors on akenza

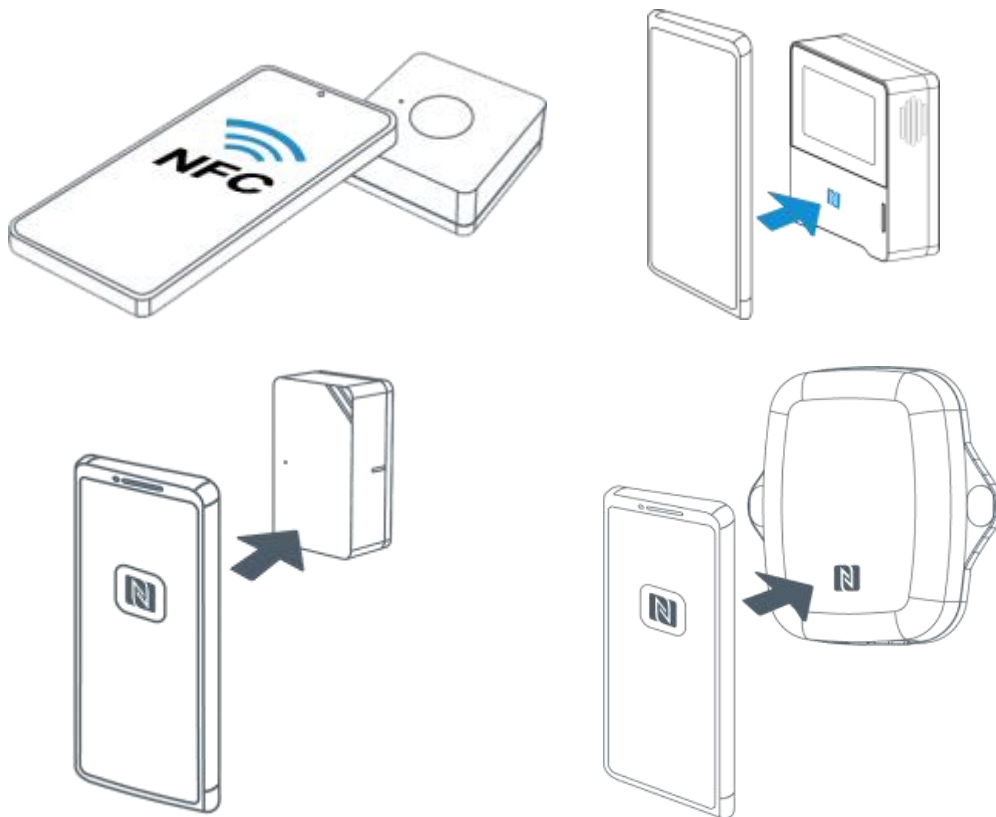
Step 4: Deploy Mulesight Sensors in the Field

Mulesight Sensors

1. Pull out the battery insulating sheets to power on WS series sensors and Install the batteries onto AM103 sensor.

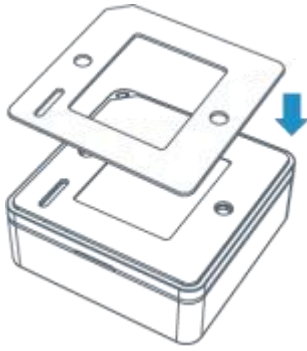


2. Use an NFC-enabled smart phone to download and install Milesight ToolBox App from Google Play or App store, place the NFC area of phone close to devices to read device information and configure the devices.

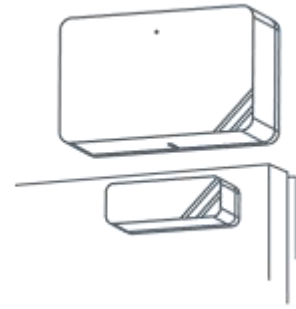
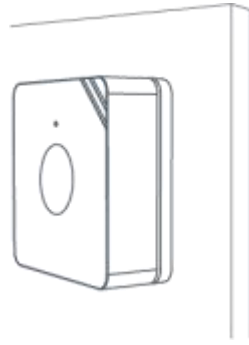


3. Fix the devices to the wall via wall mounting kits or 3M tapes. For EM300-SLD, the leak probe can be fixed to the wall via double-sided tape.

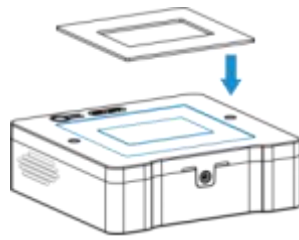
Fixed by 3M Tapes:



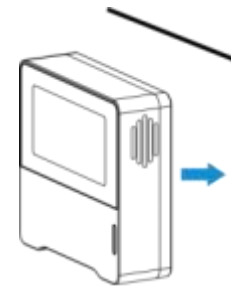
WS101



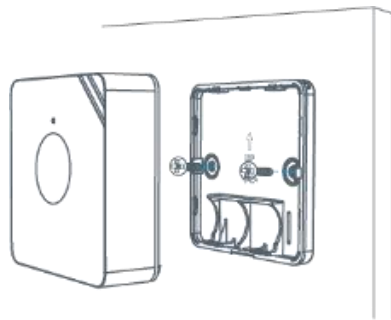
WS301



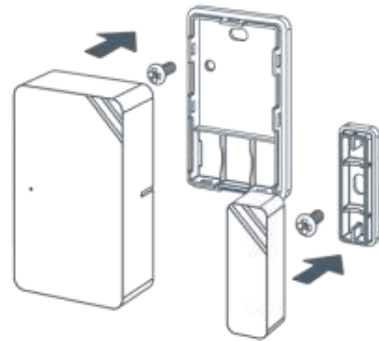
AM103



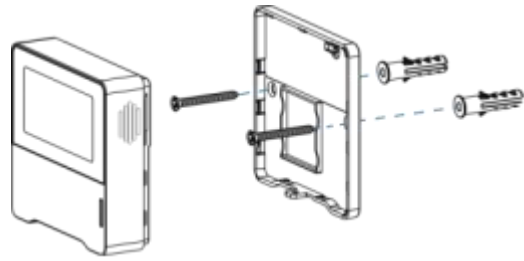
Fixed by Screws:



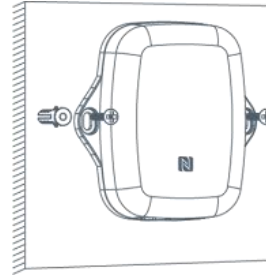
WS101



WS301



AM103

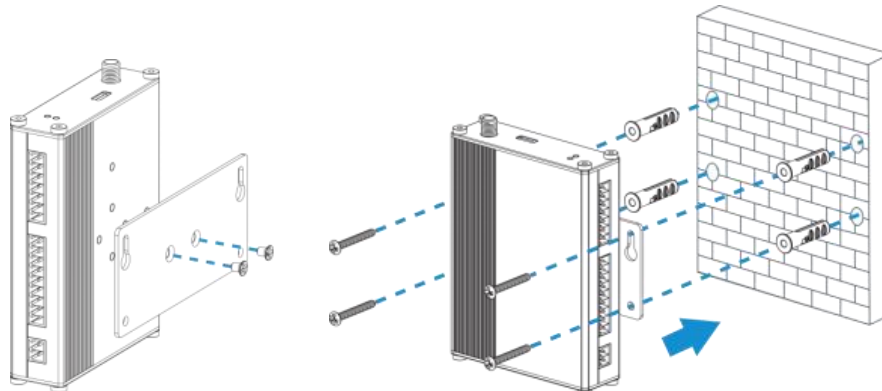


EM300-SLD

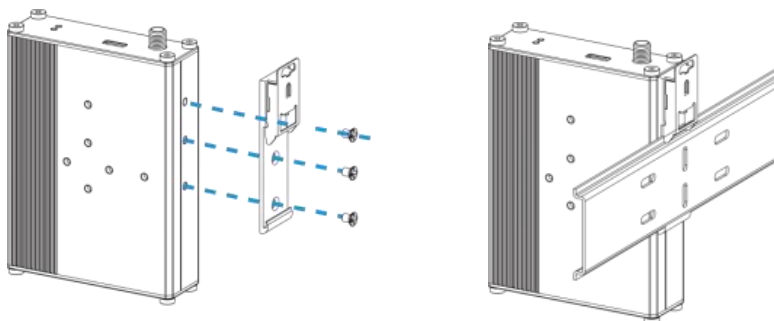
Milesight Controller: UC300

1. Connect the sensors to corresponding data interfaces of UC300 and install the antenna.
2. Power on UC300 via power adapter and connect the type-C port to PC, use ToolBox software downloaded from Milesight website to configure the device and test if it can read sensor data.
3. Install the controller to the wall via wall mounting kits or hang it to the DIN rail.

Wall Mounting:



DIN Rail Mounting:



Step 5: Monitor Smart Building with the Dashboard Builder of akenza

---END---